

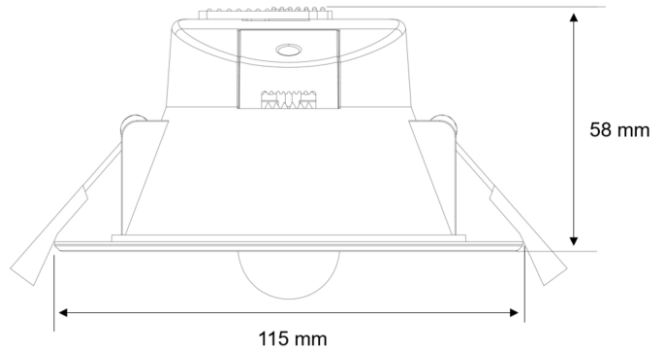
Congratulation on the purchase of your new Brilliant CCT downlight with PIR sensor. Before first using, it is most important that you read and follow these instructions, even if you feel you are quite familiar with this type of product. Keep this document handy for future reference.

## RECOMMENDED TO BE INSTALLED BY A QUALIFIED ELECTRICAL CONTRACTOR

**WARNING** : Power socket and any alteration or additions to building wiring must be done by a licenced electrician or person authorised by legislation to work on the fixed wiring of any electrical installation.

### FOR YOUR SAFETY

- To prevent electrical shock, please ensure that **POWER is DISCONNECTED** before installation.
- The installation must follow AS/NZS 3000 wiring rules and building codes.
- When drilling into walls or cutting into ceilings, care must be taken to ensure you do not damage electrical wiring and other hidden utilities.
- Do not install in a position where the fitting can be easily accessed by children or the infirm.
- Do not touch any parts of the assembly with bare hands while it is 'ON'.
- Be aware of the height of your installation. Refer to '**Working at Heights**' guide from your local or State Authorities.
- Any alterations or additions to building wiring **must be completed by a licenced electrician** or person authorised by legislation to work on the fixed wiring of any electrical installation.
- If you are not familiar with this type of fitting or unsure how to install it contact a licenced electrician for installation.



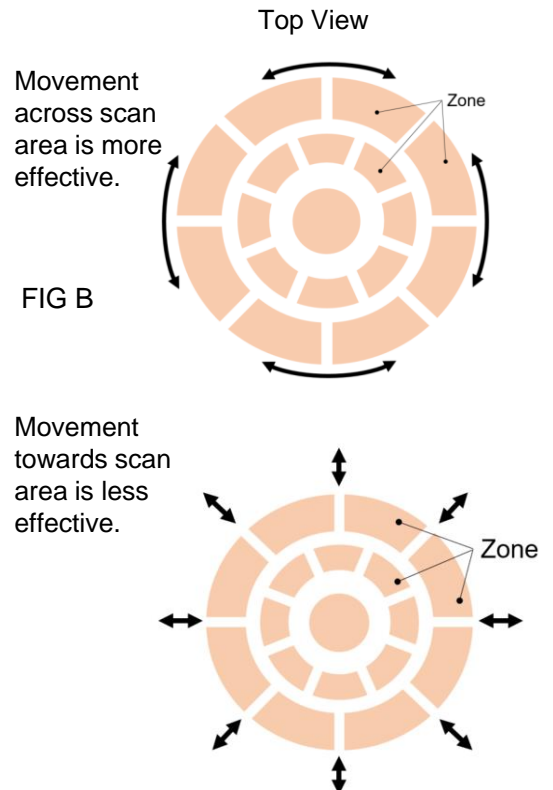
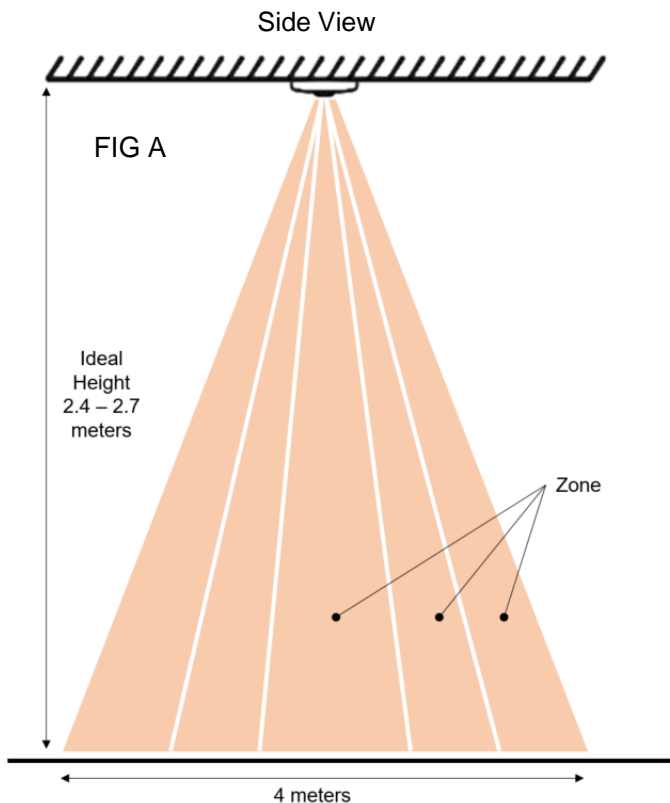
SPECIFICATION:	
Model Number :	20214/05
Fitting :	CCT LED downlight with PIR sensor & adjustable LUX setting
Voltage :	220 – 240V AC 50 Hz
CCT LED Light Source :	8W – 3000K / 4000K / 5300K (NON DIMMABLE), Beam Angle 100°. Power Factor > 90
IP Rating :	IP 44 (Front panel ONLY)
Safety Class :	Class II
Cut-out size :	Ø 90mm
Sensor :	Detection Angle 360°, Detection range/area 4m max (2.7 height), Timer 2 mins ±5 seconds, LUX (adjustable) 10 Lux / 50 Lux / 100 Lux / 150 Lux / Disable.
Weight :	0.197 kg
Dimension (W x D mm) :	115 x 58 mm
Note :	<ul style="list-style-type: none"> <li>• Timer Restart after each subsequent detection.</li> <li>• Equip manual override function.</li> </ul>

## Important:

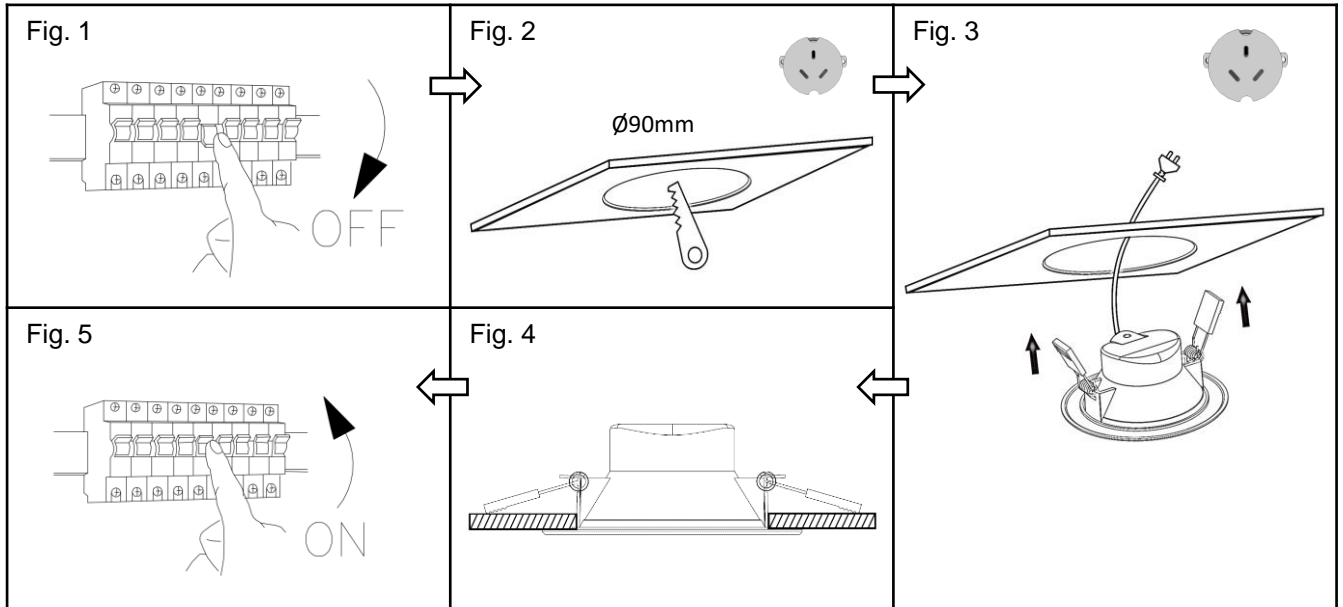
- To achieve best results, please read the following carefully, and save these instructions for future reference.
- Operation the sensor light in an ambient temperature above 30°C may result in a reduced lifetime.
- Best results are achieved when detection occurs when movement is across the scanning beam, rather than directly towards or away from it. Select a mounting position where detection will occur across the scanning area.
- This product must be used only as described in this manual. Any other use not recommended this may cause fire, electric shock, or injury to persons.
- To avoid flickering and/or interference with other electronic/electrical equipment it is suggested to wire the sensor light into its own circuit with its own switch.
- To avoid false activation, the sensor should be directed away from heat sources or other light fittings.
- Do not install on surfaces which can move or vibrate.
- Do not operate this fitting in harsh environmental conditions such as building sites.
- The sensor range is approximately 4m by 360° this may vary slightly depending on the mounting height and the surrounding environment temperature.
- Do not install the sensor facing into direct sunlight.
- Do not attempt to perform modification or change parts within the light fixture.
- Dispose of packaging thoughtfully.

## Selecting a location:

- For good performance, sensor light should be mounted 2.4 to 2.7 metres above the selected area (FIG A). The sensor detection area can vary depending on mounting height and location.
- Select a mounting position where detection will occur across the scanning area (FIG B). Unit is most sensitive to movement across sensor.



Before first using your new fitting, it is most important that you read and follow these instructions, even if you feel you are quite familiar with this type of product. Retain this document for future reference.



## Installation Location

This product is intended for indoor installation, into locations already fitted with switched, pre-wired power outlets.

## When selecting a mounting location, please consider the following:

- Prior to installation, inspect the ceiling cavity to check for hidden beams, structures and concealed electrical cabling.
- Do not install the sensor downlight within 1m distance from a ceiling or wall mounted heat source.

## Installation Instructions:

1. Ensure the Mains Supply is switched 'OFF'. (Fig.1)
2. Unpack the fixture carefully and place it on a flat surface. Dispose of the packaging material thoughtfully.
3. Ensure that there are no hidden cables or utilities in the ceiling before cutting the hole in the ceiling.

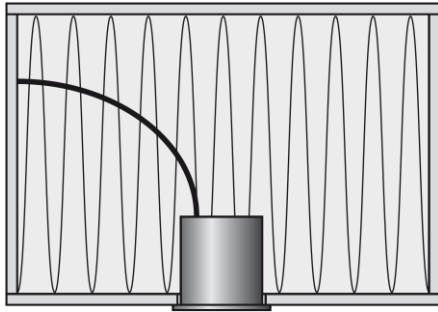
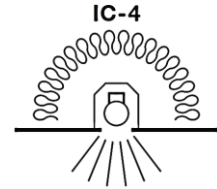
**NOTE: If installation of power sockets is required, it must be carried out by a Licenced Electrical Contractor in accordance to AS/NZS 3000.**

4. Cut the hole in the ceiling using a suitable plaster saw, jig saw or hole saw. (Fig.2) *Always wear protective clothing, safety glasses and an appropriate respirator mask when cutting into plaster. Double check there are no hidden electrical cables or ceiling battens before cutting.*
5. Set the light colour you prefer through the CCT setting switch. Also set the LUX value through the LUX setting switch.
8. Insert the two pin power cable into the ceiling hole and plug it into the power point socket in the ceiling as previously installed by a licenced electrical contractor. (Fig. 3)
9. Position Downlight in hole and push the access cable into the ceiling cavity.
10. Push the side springs of the Downlight up against the body of the Downlight and gently locate the Downlight body through the hole. (Fig. 4)
11. If the Downlight is abutted or covered with thermal insulation, please see "INSULATION RATING IC-4" section on next page for more details
12. Turn on the power at the mains. (Fig. 5)
13. Switch unit on at the wall switch.
14. Installation completed.

## INSULATION RATING IC-4:

This Downlight has achieved an IC-4 insulation rating in accordance with AS/NZS 60598.2.2.

**A TYPE IC-4 RECESSED LUMINAIRE CAN BE ABUTTED AGAINST NORMALLY FLAMMABLE MATERIALS, INCLUDING BUILDING INSULATION, AND CAN BE COVERED IN NORMAL USE.**



DIMENSION	CLEARANCE
SC – Side clearance to thermal insulation and building element	0mm
HC – Height clearance to thermal insulation and building element	0mm

## CONSIDERATION:

Full insulation coverage of the Downlight will increase lumen depreciation resulting in a shorter life span than a non cover installation.

## Daylight (LUX) Adjustment:

The sensor has a built-in photoelectric cell that automatically detects daylight and darkness. Push the LUX switch to x10 Lux allows the unit to sense objects only during the night. Push the LUX switch to Disable allow the unit to sense objects day or night.

## Manual Override Mode:

To set device in manual override mode when device in AUTO mode, at the wall isolation switch turn OFF-ON-OFF-ON within 3 seconds. Light will stay on for 8 hours then back to AUTO mode. To terminate this mode, turn the power off for 30 seconds or more.

## Colour Temperature Setting:

This downlight has 3 colour temperature settings: 3000K - Warm White, 4000K - Cool White, 5300K - Natural (Daylight) White. Change the colour through the CCT setting switch on top of the unit.

## Cleaning and Maintenance:

To avoid dust build-up on the sensor for proper functioning of the fitting please wipe the sensor lens with soft cloth approximately every 3 months. DO NOT USE chemicals.

## Environmental Protection:

This electrical product should not be disposed as normal waste. Please always recycle! Check with your Local Council about your recycle options.



## TROUBLESHOOTING GUIDE:

PROBLEM	POSSIBLE REASON	POSSIBLE SOLUTION
Light does not switch ON when there is movement in the detection area.	1. No mains voltage.	Check all connections, fuses/switches.
	2. Nearby lighting is too bright.	Redirect sensor or relocate the lamp.
	3. It a sunny day when LUX setting is too low.	Adjust LUX settings.
	4. Light fitting may be faulty or has connection problem.	Check wiring connections.
Sensor will not operate during daylight. (Testing mode)	1. No power. 2. Sensor isn't set into daylight operation mode.	First check that the power is turned 'ON'. Check connections, fuses, circuit breakers. Check LUX control knob is fully set for 'DAY' operation.
Light switches ON for no apparent reason.  False triggering.	1. Heat sources such as air-con, vents, heater flues, other outside lighting, at nearby window activates the sensor.	Redirect sensor away from those sources. Readjust LUX controls to lower levels.
	2. Dogs, cats, home animals possums,	Adjust/Redirect/Relocate the sensor.
	3. Electromagnetic interference, from other electronic devices, ON /OFF switching of existing fluorescent, LED, lights etc. wired in the same circuit with sensor light, may cause to trig the light. For example a faulty wall switch or noisy fluorescent tubes/starters may cause to activate the light.	a. Wire the fitting to it's dedicated circuit with wall switch (*) b. Replace the faulty devices, switches in the circuit. c. Replace noisy fluorescent tubes and/or starters. d. Relocate the sensor light. (* Always recommended
	4. Reflection from swimming pool, or reflective surfaces (e.g. polished floors) or direct sunlight.	Redirect sensor from direct sunlight otherwise the photocell may get damaged. Redirect sensor.
Sensor not turning OFF Light remains ON.	1. Continuous false triggering 2. Sensor is being activated again before the expire of the time set. 3. Device set into Manual override mode.	Set the sensor back into Auto Mode. Turn it OFF, wait min 30s then turn it back ON. Redirect/relocate the fitting to avoid false activation. Check for any extra sources of heat/air movement within detection area such as animals, moving objects. Adjust the sensor controls accordingly.
Sensor will not operate at night.	Ambient light is too high.	The level of ambient (street) light in the area may be too high. Adjust LUX level control accordingly and remove any other sources of ambient light if possible.
Sensor switches ON during daylight.	1. Low level of ambient light.	The level of ambient light in the area may be too dark to allow operation in Nighttime only mode. Re-adjust the LUX control accordingly. Redirecting the sensor may help.
	2. LUX control knob is set to daylight position.	Check and turn the LUX control knob to night operation.
The detection distance becomes shorter.	1. The sensor lens is dirty.	Cleaning the LENS use soft cloth soaked with water, don't scratch the LENS.
	2. Warm and wet environment.	Dry/clean the sensor.
Sensor will not operate at all.	No power. Sensor faces the SUN.	Check that the power is switched ON at the circuit breaker or internal wall switch. Check that connections are not loose. Redirect sensor away from SUN.



# LUMASCAN II 8W CCT DOWNLIGHT WITH PIR SENSOR & ADJUSTABLE LUX SETTING – WHITE (20214/05)

## Warranty:

Brilliant Lighting warrants this product against defects in manufacture and workmanship for a period of 3 years from date of purchase or as specified elsewhere. For products used in non-domestic or commercial applications, Brilliant Lighting warrants this product for a period of 3 months from date of purchase. This warranty is only valid for products installed and operated within the guidelines specified by Brilliant Lighting, and within the correct operating voltage ranges as stated on the product's rating label.

Warranty does not include damage or loss arising from incorrect installation, operation or maintenance of this product, damage caused through modification, incorrect installation, service by unqualified or unauthorised personnel or lack of regular maintenance and cleaning. Proof of installation by qualified personnel may be required, e.g. Electrical Safety Certificate. Proof of purchase must be supplied with all warranty claims.

This warranty is provided in addition to any other rights and remedies of the customer under any law. In applications not intended for household, personal or domestic use, liability is limited to replacement or reimbursement of product only. Brilliant Lighting does not warranty the costs of removal or re-installation of this product or associated components.

*Our goods come with guarantees that cannot be excluded under the Australian Consumer Law. You are entitled to a replacement or refund for a major failure and compensation for any other reasonably foreseeable loss or damage. You are also entitled to have the goods repaired or replaced if goods fail to be of acceptable quality and the failure does not amount to a major failure.*

Any claim under this warranty must be made within the specified warranty period from date of purchase of this product. To make a claim under the warranty; at your own expense take the product (with proof of purchase – receipt or similar) to the store where you purchased the product or contact Brilliant Lighting at the address below.

This warranty is given by:

**Brilliant Lighting (Aust) Pty. Ltd.**  
**ABN 37 006 203 694**  
**956 Stud Road Rowville, VIC 3178**  
**Phone: 03 9765 2555**  
**Email: [Warranty@brilliantlighting.com.au](mailto:Warranty@brilliantlighting.com.au)**  
**Web: [www.brilliantlighting.com.au](http://www.brilliantlighting.com.au)**  
**MADE IN CHINA**