



Talon LED CCT Exhaust Fan 270mm – 22373

Before installing the new Brilliant Exhaust fan, it is most important that you read and follow these instructions, even if you feel you are quite familiar with this type of product. Please keep this document handy for future reference.

WARNING:

- Read all instructions thoroughly prior to installation
- This product is intended for DIY fitting into installations where suitable switched power outlets are already installed. All new installations or modifications to fixed wiring must be conducted by a Licenced Electrical Contractor.
- Young children should be supervised to ensure that they do not play with this appliance.
- Do not cut or remove ceiling beams to install this device.
- Not designed for outdoor use.
- Do not install the exhaust fan in high temperature areas such as above or adjacent to cooking equipment.
- Failure to follow these instructions will result in breakages and will invalidate warranty.
- Unit is ideally suited to installation with a 150mm diameter ducting kit (not supplied). We also provide 100mm adapter, suited to installation with a 100mm diameter ducking kit (not supplied).
- If product is functioning irregularly, please TURN OFF the power and contact the nearest authorized dealer.
- Do not perform modification or change parts within the product.
- Switch the unit off when cleaning.

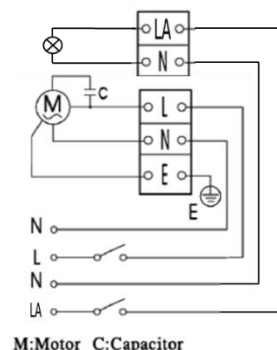


SPECIFICATIONS:

Fitting:	Plastic body
Construction Fan:	Class I
Voltage:	240V - 50Hz
Motor power :	25W
LED power :	12W
Air movement:	22373: 270 m ³ /hr
Noise:	<40dB
IP Rating:	IP44(luminous surface only)

Spare Part : 22373SP001 12W LED CCT PANEL

Exhaust Fan wiring diagram



Installation Location

This product is intended for indoor installation, into locations already fitted with switched, pre-wired power outlets.

When selecting a mounting location, please consider the following:

- Unit must be installed into a horizontal location, and is not suitable for wall mount or raked ceilings.
- Prior to installation, inspect the ceiling cavity to check for hidden beams, structures and concealed electrical cabling.
- In applicable cases, the product should not be installed where the switch can be touched by someone within a bath or shower.
- Position fan in as central location as possible, to maximise ventilation to all areas.
- Ensure that air is ventilated to an outside location via the use of a duct/grill assembly (not provided). Air should not be ventilated into a sealed roof cavities.
- Do not install the exhaust fan within 1m distance from a ceiling or wall mounted heat source.
- Ensure there is at least 100mm clearance around and above the exhaust fan once it is installed in the ceiling cavity.

Installation Instructions:

1. Unpack the fixture carefully and place it on a flat surface.
2. Gently prise off the front cover from fan being careful of the springs.
3. When there is enough room, reach in and unplug the cable connector.
4. Turn off the power at the mains.

NOTE: If installation of power sockets is required, it must be carried out by a Licences Electrical Contractor in accordance to AS/NZS 3000.

5. Consider the position that you wish the exhaust fan to be installed in carefully. Take care to avoid structural elements and existing wiring when selecting the position for your exhaust fan/light.
6. Mark and cut out a **240mm diameter** hole into the ceiling. (Fig 1)
7. Cut the hole in the ceiling using a suitable plaster saw, jig saw or hole saw. *Always wear protective clothing, safety glasses and an appropriate respirator mask when cutting into plaster. Double check there are no hidden electrical cables or ceiling battens before cutting.*
8. Note: if ducting is required to completely exhaust air from the room, then install a 150mm or 100mm duct pipe to the exhaust fan and lay the ducting across the ceiling and onto a suitable 150mm or 100mm exhaust vent. (Fig 2)
9. Insert fan power cable and LED light cable into the ceiling hole and plug them into the power point sockets in the ceiling as previously installed by a licensed electrical contractor. (Fig 3)
10. **There is a switch to adjust the color temperature on the back of led panel. Choose the color temperature according to your personal preference. CW is cool white, DL is daylight, and WW is warm white.**
11. Position fan in hole and with screwdriver, rotate mounting screws until slip blocks firmly secure fan onto ceiling plaster. *Do not over-tighten.* (Fig 4)
12. Replace front fascia by locating spring hole slots in body or fan. (Fig 4).
13. Reach in and plug in the connector that powers the LED light.
14. Allow springs to pull the cover plate up over the fan cavity and against the ceiling surface.
15. Turn on the power at the mains.
16. Switch unit on at the wall switches.
17. When cleaning cover, switch off all power, remove cover and wipe with damp cloth. Allow cover to dry before reinserting cover.

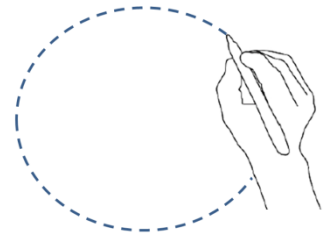


Fig. 1 – Marking the 240mm diameter hole cut-out

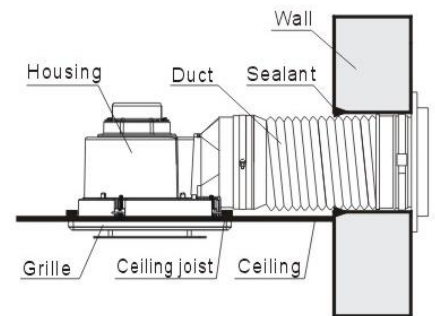


Fig. 2 – Installing duct if required

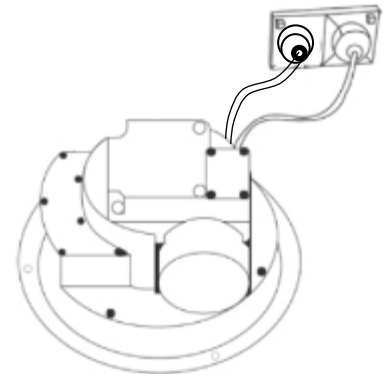


Fig. 3 – Connect the power

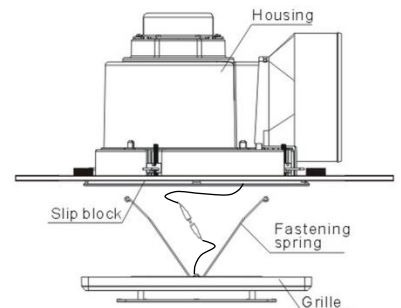


Fig. 4 – Fix the fan in place and install cover



Talon LED CCT Exhaust Fan 270mm – 22373

Warranty:

Brilliant Lighting warrants this product against defects in manufacture and workmanship for a period of 3 years from date of purchase. This warranty is only valid for products installed by a qualified electrical contractor and operated within the guidelines specified by Brilliant Lighting, and within the correct operating voltage ranges as stated on the product's rating label.

Warranty does not include damage or loss arising from incorrect installation, operation or maintenance of this product, damage caused through modification, incorrect installation, service by unqualified or unauthorised personnel or lack of regular maintenance and cleaning. Proof of installation by qualified personnel may be required, eg. Electrical Safety Certificate. Proof of purchase must be supplied with all warranty claims. This warranty is provided in addition to any other rights and remedies of the customer under any law. In applications not intended for household, personal or domestic use, liability is limited to replacement or reimbursement of product only. Brilliant Lighting does not warranty the costs of removal or re-installation of this product or associated components.

Our goods come with guarantees that cannot be excluded under the Australian Consumer Law. You are entitled to a replacement or refund for a major failure and compensation for any other reasonably foreseeable loss or damage. You are also entitled to have the goods repaired or replaced if goods fail to be of acceptable quality and the failure does not amount to a major failure.

Any claim under this warranty must be made within 3 years of the date of purchase of the product. To make a claim under the warranty; at your own expense take the product (with proof of purchase – receipt or similar) to the store where you purchased the product or contact Brilliant Lighting at the address below.

This warranty is given by:

Brilliant Lighting (Aust) Pty. Ltd.
ABN 37 006 203 694
956 Stud Road Rowville, VIC 3178
Phone: 03 9765 2555
Email: warranty@brilliantlighting.com.au
Website: www.brilliantlighting.com.au
MADE IN CHINA