



EYE360 MINI PIR SENSOR SERIES 2

**Sensors aren't
just used for home
security**

**240V
AC**

**360°
DETECTION
SCAN**

**6m
DETECTION
RANGE**



**2YR
WARRANTY**

Trigger your lights, fans or appliances when the sensor detects movement. The sleek, unobtrusive sensor provides the hands free convenience of a sensor without compromising the aesthetics of the room.

- Multi-segmented optical lens for better movement detection
- 3-wire design for greater reliability
- Easy to install recessed ceiling mounting
- Manually override functionality (Resets to AUTO after 8 hours)
- Maximum load capacity
(800W Incandescent lamp; 400W Fluorescent lamp;
200W LED lamp)
- Adjustable time on and lux level
- Range: 360° x 6m dia.
- Indoor use only

APPLICATIONS

- Detect motion inside your home
- For use all around the home including bathrooms, walk in robes and home offices.





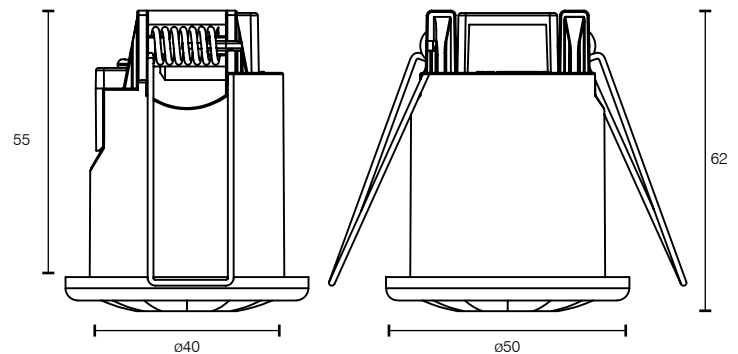
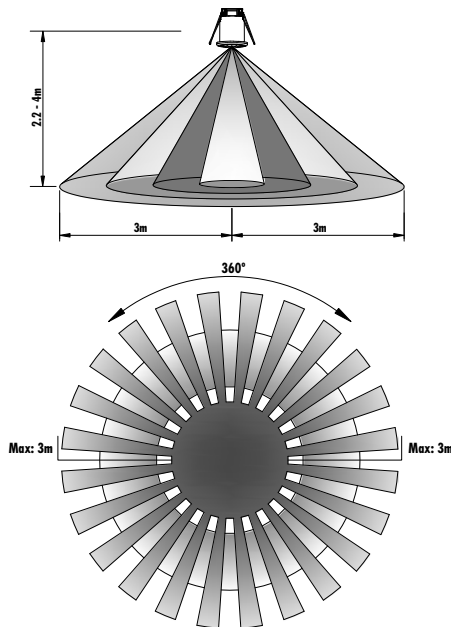
EYE360 MINI PIR SENSOR SERIES 2

TECHNICAL SPECIFICATIONS

Operating voltage:	240V / 50Hz
Class:	Class II
Maximum Load:	800W Incandescent 400W Fluorescent 200W LED
Terminal block:	2.5mm ²
Motion detection:	Advanced PIR motion sensing
PIR range:	360 degrees x 6m diameter
Lux sensitivity:	3 ~ 2000LUX
Time setting:	10sec / 30sec / 90sec / 3min / 7min / 15min
Manual Override:	Yes (Resets to AUTO mode after 8 hours)
Construction:	UV resistant Polycarbonate
Ingress protection:	IP20 rated (Indoor use)
Installation height:	2.8m from ground
Operating temperature:	+5°C to 35°C
Warranty:	2 year replacement
Standards:	AS/NZS 60669.2.1

INSTALLATION

Must be installed by a licensed electrician



	MODEL	COLOUR	DESCRIPTION	BOX SIZE	GROSS WEIGHT	BOX QTY	BARCODE/TUN
RETAIL BOX	21353/05	White	Eye360 Mini PIR Sensor S2	W100 x H80 x D51 mm	0.090 kg	1 pc	9 312641 213536 >

