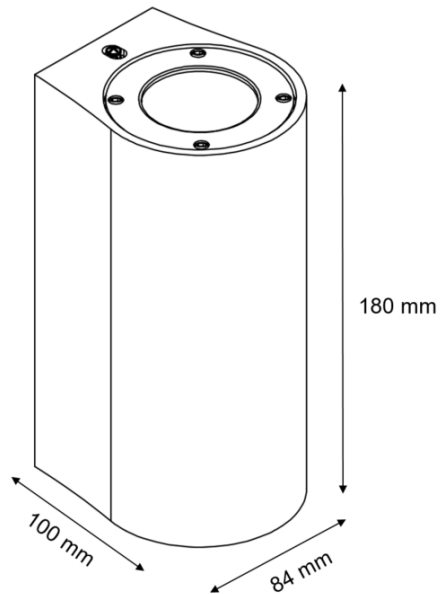


Congratulation on the purchase of your new Brilliant SIENA TERRAZZO UP/DOWN wall light. Before first using, it is most important that you read and follow these instructions, even if you feel you are quite familiar with this type of product. Keep this document handy for future reference.

THIS FITTING MUST BE INSTALLED BY A QUALIFIED ELECTRICAL CONTRACTOR in accordance with the latest AS/NZS 3000 and relevant amendments

FOR YOUR SAFETY

- To prevent electrical shock, please ensure that POWER is DISCONNECTED before installation.
- During use the light head and/or light assembly may become hot.
- Do not install in a position where the fitting can be easily accessed by children or the infirm.
- Do not touch any parts of the assembly with bare hands while it is 'ON'.
- Be aware of the height of your installation. Refer to '**Working at Heights**' guide from your local or State Authorities.
- Any alterations or additions to building wiring **must be completed by a licensed electrician** or person authorised by legislation to work on the fixed wiring of any electrical installation.



SPECIFICATIONS

- 230/240V AC 50Hz
- GU10 35W MAX (Globe not included)
- GU10 globe MAX allow dimension $\varnothing 50 \times 56$ mm
- Dimensions: 180mm x 84mm x 100 mm
- Housing material: Terrazzo (Concrete)
- Protection: Class I
- Weatherproof: IP65
- Suitable for coastal area
- Weight: 1.7 kg

WARNINGS

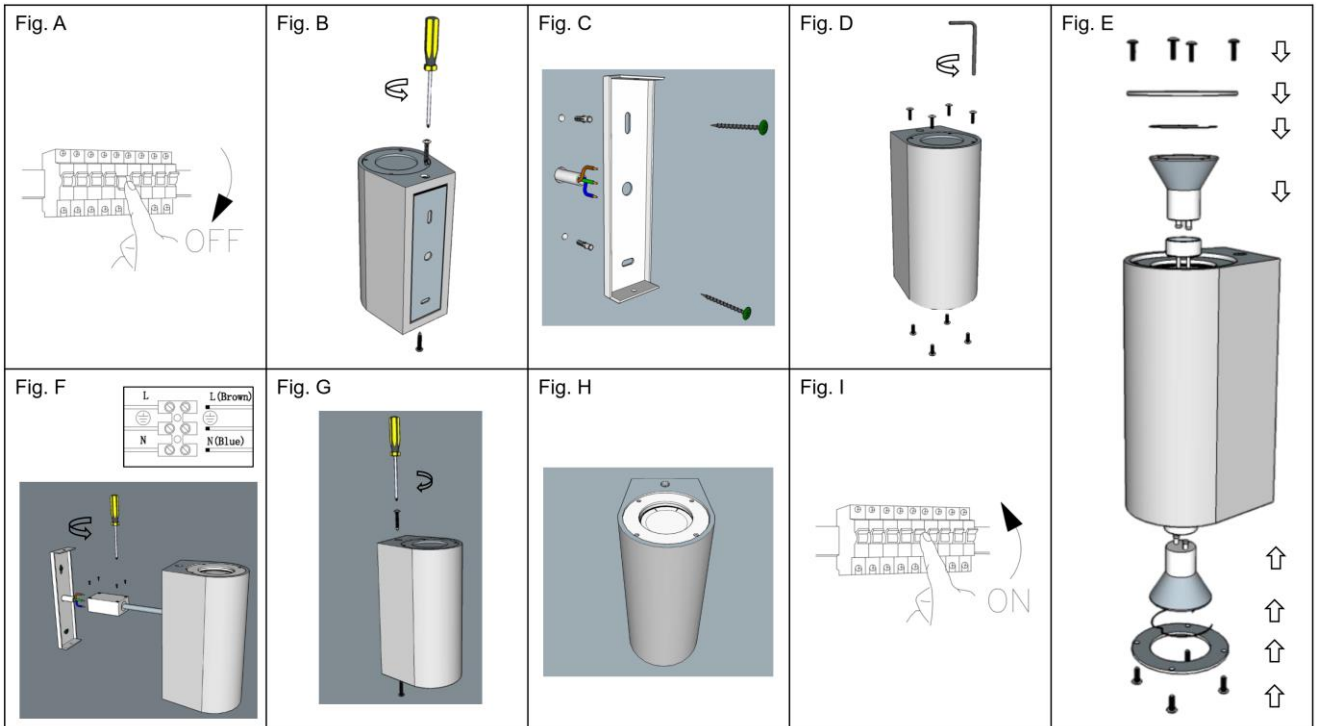
- Do not operate this fitting in harsh environmental conditions such as building sites.
- Do not install it on surfaces which can move or vibrate.
- Do not immerse any part of the fitting into water or any liquid.
- Ensure wire connections are firm.
- Do not attempt to perform modification or change parts within the light fixture.
- Dispose of packaging thoughtfully.

Before first using your new fitting, it is most important that you read and follow these instructions, even if you feel you are quite familiar with this type of product. Retain this document for future reference.

THIS FITTING MUST BE INSTALLED BY A QUALIFIED ELECTRICAL CONTRACTOR in accordance with the latest AS/NZS 3000 and relevant amendments

INSTALLATION

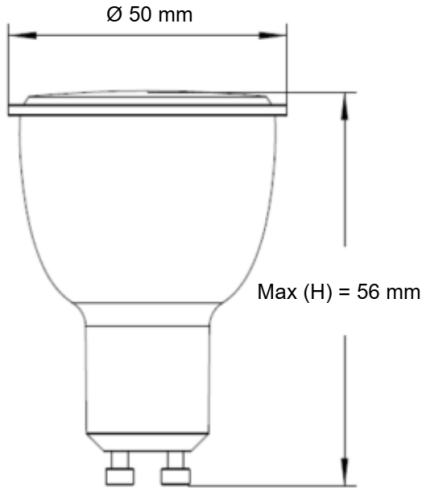
- 1) Ensure the Mains Supply is switched 'OFF'. (Fig. A)
- 2) Unpack the fixture carefully and place it on a flat surface. Dispose of the packaging material thoughtfully.
- 3) Remove the wall mounting plate from the light housing by unscrewing the 2 x screws. (Fig. B)
- 4) Drill two holes in the wall using the holes in the wall mounting plate as a template. (Fig. C). Note: exercise caution to avoid drilling into existing electrical wiring!
- 5) Feed mains supply cable through the wall and weatherproof holes in wall as appropriate.
- 6) Use screws and suitable fixture system to attach the wall mounting plate to the wall securely. (Fig. C)
- 7) Use the supplied Hex key and remove the screws from the stainless steel cover. Repeat for the other end. (Fig. D)
- 8) Insert the GU10 globe (NOT INCLUDED) into the lampholder and ensure not exceed the maximum wattage 35W. Push the Globe into the housing and place the globe lock ring to secure the globe. Then replace the stainless steel cover and screws removed previously. Repeat for the other end. (Fig. E)
- 9) Unscrew the junction box. Pierce the rubber grommet with a screwdriver and pass the mains supply cable through it. (Fig. F)
- 10) Connect the Live (L), Neutral (N) and Earth according to the markings on the terminal block. Ensure all connections are firm and secure. Replace the screws previously remove from the junction box. Tighten firmly. (Fig. F)
- 11) Refit the light housing to the wall mounting plate, securing it in place using screws removed earlier. Tighten firmly. (Fig. G) NOTE: Apply clear silicone on the housing base which attached onto the wall to maintain IP rating.
- 12) Installation completed. (Fig H)
- 13) Reconnect the mains supply. (Fig. I)
- 14) Turn ON the light.





SIENA TERRAZZO UP/DOWN WALL LIGHT GR 21526/08

GU10 Globe Maximum Dimension Allow is W=50mm x H=56mm



Recommended GU10 globe:				
Model No:	Colour Temp. (K)	Power (W)	Dimming	Dimension (W x H mm)
18134	3000K (WW)	4 W	NO	50 x 54 mm
18601	3000K (WW)	5 W	NO	50 x 53 mm
18602	4000K (CW)	5 W	NO	50 x 53 mm
19137	3000K (WW)	5 W	YES	50 x 55 mm
19138	4000K (CW)	5 W	YES	50 x 55 mm
19139	3000K (WW)	6.5 W	YES	50 x 55 mm
19140	4000K (CW)	6.5 W	YES	50 x 55 mm
19171	3000K (WW)	5 W	NO	50 x 56 mm
20726	3000K (WW)	6 W	NO	50 x 56 mm
20727	4000K (CW)	6 W	NO	50 x 56 mm
20963	3000K (WW)	4 W	NO	50 x 54 mm
20964	4000K (CW)	4 W	NO	50 x 54 mm
21388SP001	3000K (WW)	7 W	NO	50 x 56 mm

Please note:

- This is made of natural material. Staining and discolouration may occur from the effects of the surrounding environment and is not covered under warranty conditions.
- This is handmade, variance of Terrazzo finish may occur.

Warranty:

Brilliant Lighting warrants this product against defects in manufacture and workmanship for a period of 2 years from date of purchase or as specified elsewhere. For products used in non-domestic or commercial applications, Brilliant Lighting warrants this product for a period of 3 months from date of purchase. This warranty is only valid for products installed and operated within the guidelines specified by Brilliant Lighting, and within the correct operating voltage ranges as stated on the product's rating label.

Warranty does not include damage or loss arising from incorrect installation, operation or maintenance of this product, damage caused through modification, incorrect installation, service by unqualified or unauthorised personnel or lack of regular maintenance and cleaning. Proof of installation by qualified personnel may be required, e.g. Electrical Safety Certificate. Proof of purchase must be supplied with all warranty claims.

This warranty is provided in addition to any other rights and remedies of the customer under any law. In applications not intended for household, personal or domestic use, liability is limited to replacement or reimbursement of product only. Brilliant Lighting does not warranty the costs of removal or re-installation of this product or associated components.

Our goods come with guarantees that cannot be excluded under the Australian Consumer Law. You are entitled to a replacement or refund for a major failure and compensation for any other reasonably foreseeable loss or damage. You are also entitled to have the goods repaired or replaced if goods fail to be of acceptable quality and the failure does not amount to a major failure.

Any claim under this warranty must be made within the specified warranty period from date of purchase of this product. To make a claim under the warranty; at your own expense take the product (with proof of purchase – receipt or similar) to the store where you purchased the product or contact Brilliant Lighting at the address below.

This warranty is given by:

Brilliant Lighting (Aust) Pty. Ltd.
ABN 37 006 203 694
956 Stud Road Rowville, VIC 3178
Phone: 03 9765 2555
Email: Warranty@brilliantlighting.com.au
Web: www.brilliantlighting.com.au
MADE IN CHINA