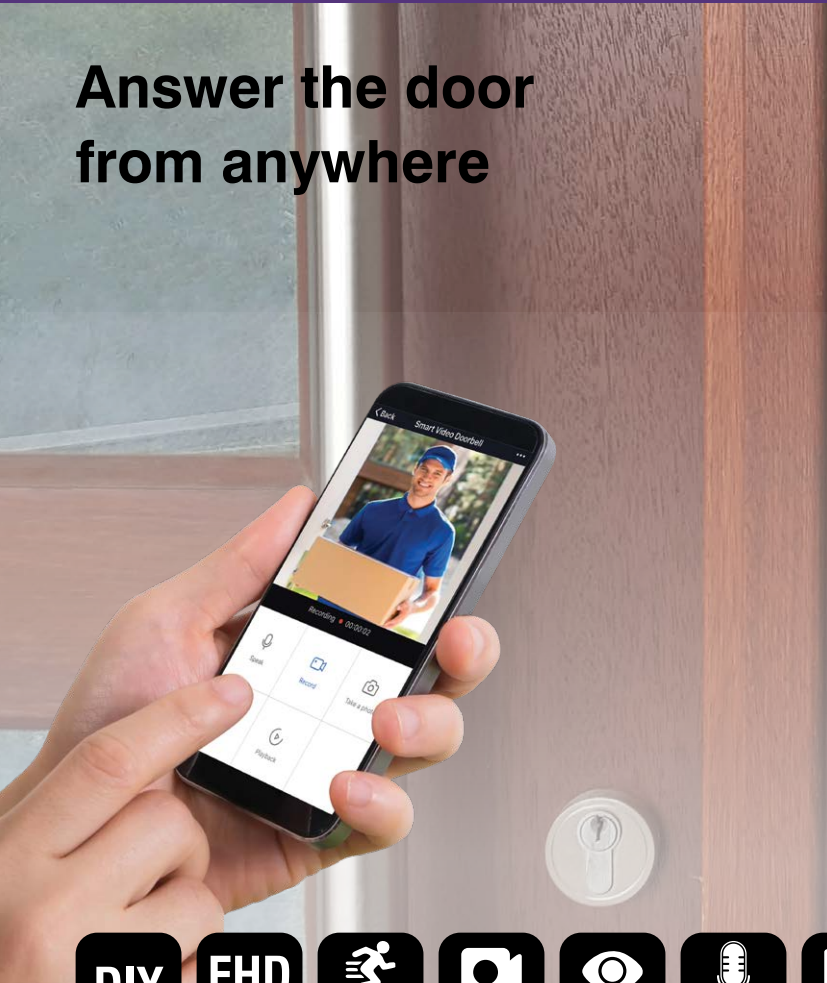




SMART WiFi VIDEO DOORBELL & CHIME

SERIES-II

Answer the door from anywhere



WiFi
NO HUB REQUIRED

Works with
IFTTT



Answer your doorbell from anywhere from your phone. Video, two-way audio and built-in motion sensors allows you to know who's at the front door and detect any movement on your property, triggering alerts to your phone 24/7.

- Full HD video 1080P, 166° wide viewing angle. Delivers high resolution video.
- Two-way audio. Allows you to hear and speak through the BrilliantSmart app remotely.
- Built-in infra-red night vision, automatically activating the infra-red filter at night (day/night modes).
- Record direct to your phone by either screen shot or video recording.
- Durable construction and IP44 weather resistant rating makes it suitable for all locations.
- Built in memory card slot that supports up to 64Gb SD card. Recording is motion activated (card not included). Recorded SD card footage is encrypted and can only be viewed through the BrilliantSmart app, or remove card and view recorded files through your PC.
- It uses low power and includes 2 rechargeable lithium batteries. Includes option to connect to 14V-24VAC/DC (power source not included).
- Connects to other BrilliantSmart devices and other compatible products through automation.

CHIME

- Multiple tones selection - 38 in total with 5 volume levels, this includes silent mode(LED indicator will flash in this mode)
- Plugs into any standard power outlet.
- Works up to 20m (line of sight) away from the Smart WiFi Video Doorbell.





SMART WiFi VIDEO DOORBELL & CHIME

SERIES-II

TECHNICAL SPECIFICATIONS-DOORBELL

Camera type:	Full High Definition, 2-megapixel
Video resolution:	1080P (1980 x 1080 pixels), 30fps
Audio:	Two-way audio
Field of view:	166 degree wide viewing angle
Motion detection:	Advanced PIR motion sensing
PIR distance:	Up to 4m
Night vision:	6 x Infrared LED's
Night vision distance:	Up to 5m
Ingress protection:	IP44 rated (Indoor & under cover outdoor)
Memory:	Micro SD card slot (64GB max, not included), rolling
Power source:	2 x Rechargeable 3.7V 3400mAh lithium-ion batteries Recharge via DC5V micro USB cable (included)
Supported power:	14V-24VAC/DC hardwire option (not included)
LED Indicator:	Blue (when motion is detected) Red (when doorbell button is pressed)
Warranty:	3 year replacement
WiFi Info:	IEEE802.11b/g/n, 2.4GHz Mac Encryption; WEP/WAPI/TKIP/AES
Device Requirements:	iOS 8.0 or higher, Android 4.1 or higher

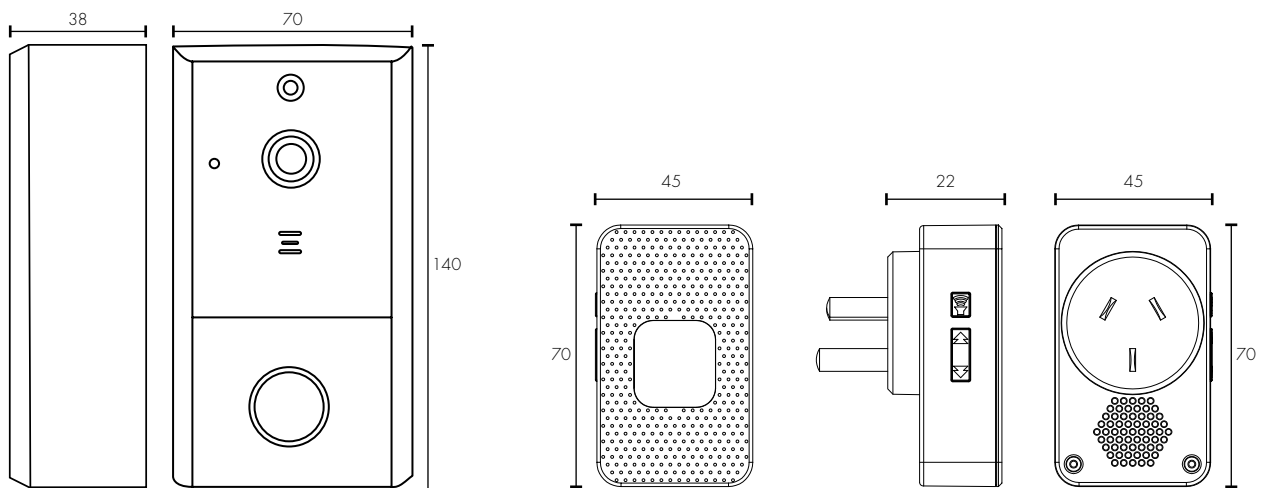
TECHNICAL SPECIFICATIONS-CHIME



Operating voltage:	240V / 50Hz
Class:	Class II (2)
Radio Frequency Info:	RF 433.92MHz
Volume:	4 Levels
Ringtones:	38 options Select alternate tones for different events
Working distance:	20m (line of sight)
Construction:	ABS / Polycarbonate
Warranty:	3 year replacement

INSTALLATION

Do-it-Yourself installation

Can be hardwired to an existing suitable ELV transformer



	MODEL	COLOUR	DESCRIPTION	BOX SIZE	GROSS WEIGHT	BOX QTY	BARCODE/TUN
RETAIL BOX	22163/06	Black	Smart WiFi Video Doorbell & Chime	W107 x H223 x D73 mm	0.56 kg	1 pc	 9 312641 221630 >
OUTER CTN	22163/06	Black	Smart WiFi Video Doorbell & Chime	W560 x H475 x D315 mm	23.4 kg	40 pc	 19312641221637