

INSTALLATION INSTRUCTIONS AND CUT OUT TEMPLATE



THE JEWEL IN LIGHTING

Supernova II Bathroom Heater 2 Heat, Fan & LED Light Model: 20748

Please read all instructions before commencing installation even if you feel you are quite familiar with this type of product. This heater must be installed by a Qualified Electrician, and an Electrical Safety Certificate must be issued on completion of the installation.

FOR YOUR SAFETY:

- This product must be used only as described in this manual. Any other use not recommended by the manufacturer may cause fire, electric shock, or injury to persons. If you have questions, contact the manufacture or local agent.
- All wiring must be carried out by a licensed electrician in accordance with all applicable national / local codes and standards. Also check with the local council regulations regarding installation of exhaust fans.
- Ensure the power is OFF before the installation.
- When cutting into the ceiling material, care must be taken to ensure you do not damage electrical wiring and other hidden utilities
- The heater must be properly earthed/grounded.
- The lamps are extremely hot when in use. Do not touch the lamps with any part of your body when in use. Allow all lamps to cool sufficiently before touching or replacement.
- For the purpose of avoiding any fumes leaking into your bathroom, the duct for the heater must not be laid together with ducts for air-fuelled water heaters or other open-fire appliances.
- Power cable used for wiring must be rated for a minimum 10A load.

IMPORTANT CONSIDERATIONS BEFORE INSTALLING

A few minutes planning can make a big difference to the installation time and also to your satisfaction with the function of your Bathroom Mate.

- The unit must be installed in accordance with AS/NZS 3000, and all local building codes relating to damp locations.
- Before commencing any cutting, check in the ceiling space that there are no obstructions such as ceiling joists and that there is sufficient height clearance (at least 150mm) above the unit. Check that the electrical wiring can be routed from the wall switches to the mounting location.
- Ceiling insulation should be kept well clear of the unit and all ducting equipment.
- **The unit should not be installed directly above a shower or bathtub.**
- The unit must not be installed where it will be subject to direct splashing.
- Your Bathroom Heater is designed for installation in flat ceilings only. Do not install on a sloping ceiling or a vertical wall.
- The Infra-Red heat lamps are not designed to heat the entire room area, they provide instant heat to persons standing directly below them. Install your Bathroom Heater above the area where 'drying off' usually occurs.
- Your Bathroom Heater is not been designed for extended periods of operation, as this could cause overheating and premature failure.

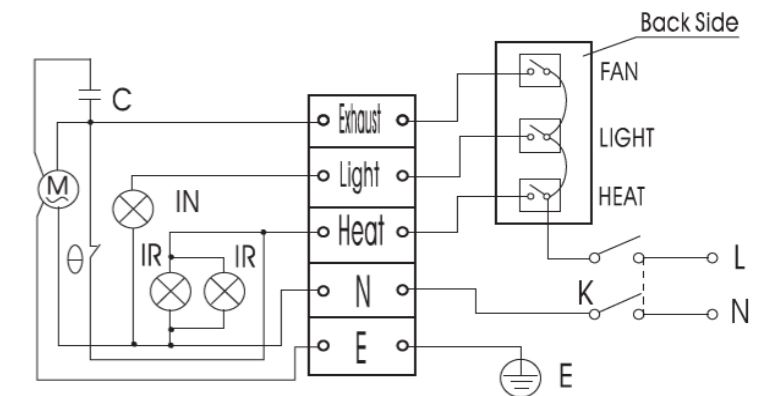
- For the exhaust fan to work efficiently, replace air of a volume equivalent to what is being extracted must be able to enter the room. In general this air would be drawn under the door, or through a slightly open window. If the room is airtight, the fan will function poorly.

INSTALLATION

1. Your Supernova II Bathroom Heater has been designed for use on ceilings between 2.4 and 2.7m in height.
2. 75mm minimum clearance is required near all ceiling joists.
3. Remove all lamps from your Heater.
4. Mark the ceiling with a pencil outline 430mm x 250mm, and cut out a hole in the ceiling at the chosen area. Make sure a distance between the edges and wall is no less than 400mm. There should be a minimum 150mm clearance above the unit.
5. Before commencing any cutting, check in the ceiling space that there are no obstructions such as ceiling joists, cables or pipes.
6. Insert the Heater unit into the hole, ensuring that the side springs are pulled inwards so that the unit can pass through the hole, without damaging the plaster.
7. Securely fix the unit with the clips, and if required, additional screws can be used to assist unit retention in the ceiling. NB: Screw holes are provided in the flange for this purpose.
8. Reinstall the two heat globes by screwing them carefully into the lampholder, without over-tightening. Globe should be firm, however, over-tightening may lead to damage.
9. For installation where external venting is required or is your choice, select a suitable location in either the roof or exterior wall to vent out the exhausted air/steam and cut out a 150mm hole.
10. Put the ventiduct into the vent hole and seal the space around the hole using a suitable sealant and cowling where necessary.
11. Fit the in-house end of the duct to the fan outlet, and fix the end with duct clip. Ensure that the ducting is kept as straight as possible.

WIRING DIAGRAM & TECHNICAL PARAMETERS

VOLTAGE	230/240V AC 50Hz
TOTAL POWER	602W MAX
CONSTRUCTION	Class I
SWITCH	3 Gang 250VAC 16A
HEAT GLOBES	2 x E27 275W 240V 50Hz R125
MOTOR	40W
LED PANEL	12W LED , CCT 3000K & 5000K
IP RATINGS	IPX2
DUCT SIZE	Ø150mm
APPLICATION	Zone 3 in bathrooms , * Refer to AS/NZS3000



250mm

430mm

INSTALLATION INSTRUCTIONS AND CUT OUT TEMPLATE



THE JEWEL IN LIGHTING

Supernova II Bathroom Heater 2 Heat, Fan & LED Light Model: 20748

ELECTRICAL WIRING

NB: This unit is fitted with a thermostat switch which will operate to automatically switch the exhaust fan on, in the event that the heat globes are left on, and the internal temperature of the unit exceeds 90°C

1. Ensure that the power is turned off before carrying out any work on electrical installations.
2. Clip the switches to the backing plate in the desired order, and install the plate onto the wall.
3. Connect the wiring to the four switches as per the electrical diagram.
4. Remove the terminal cover on the heater unit, and wire according to the label adjacent to the terminal block. Ensure all cables are securely connected before refitting the terminal cover.
5. Clean the fascia and globes with a soft damp cloth, and switch the unit ON, checking operation of all functions.

OPERATION

Your Supernova II bathroom heater uses Infra-Red heating lamps as a source of heat. It also combines the functions of exhaust and light.

Heating:

- Turn ON/OFF 'Heat' button/s.
- Your Heater is supplied with two Infra-Red lamps. You can turn both of them ON for best heating effect.

Exhaust Fan:

- Turn ON/OFF "Fan" button.
- Your Heater will exhaust odours and steam in a quick and efficient manner.

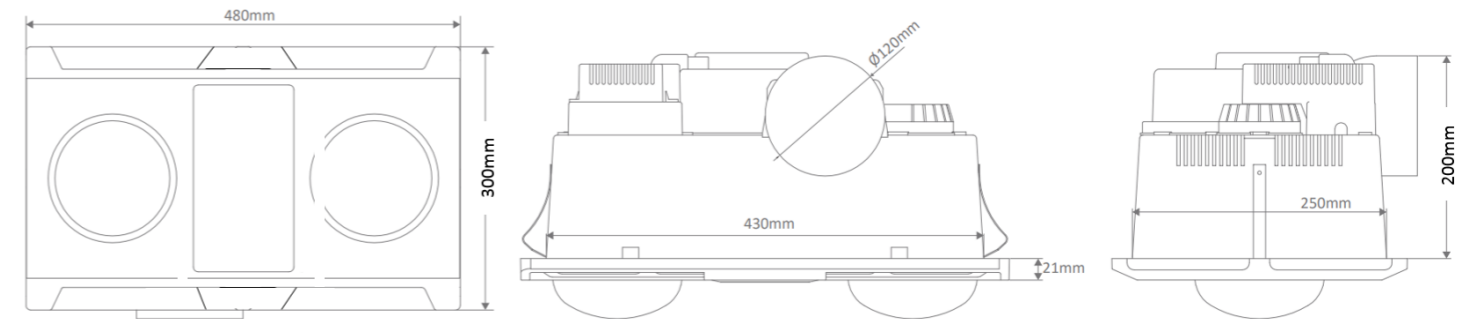
Lighting:

- Turn ON/OFF "Light" button to activate the central LED light.
- To change the colour temperature, reverse the connection of the connector.
- Default colour temperature is 5000K.

CLEANING

- Switch OFF power before commencing cleaning, and allow unit to cool to room temperature.
- Regularly wipe globes and fascia using a soft cloth soaked with neutral detergent. Ensure the globes have cooled to room temperature before handling.
- Ensure Lamp holders are free from any foreign objects and/or dust.
- The centrifugal fan requires regular cleaning to ensure optimum performance. With the power OFF, regularly wipe the fan clear of all dust and dirt.
- Clean the exhaust ducting kit, ensuring there are no obstructions at the exit.
- Use only a soft damp cloth to clean your Brilliant Bathroom Heater. If detergents are required, use only a neutral detergent that will not damage the fascia.

DIMENSION



WARRANTY

The original purchaser of this Bathroom Heater is provided with the following warranty subject to the following conditions

Brilliant Lighting warrants this product against defects in manufacture and workmanship for a period of 3 years from date of purchase. For products used in non-domestic or commercial applications, Brilliant Lighting warrants this product for a period of 3 months from date of purchase. This warranty is only valid for products installed by a qualified electrical contractor and operated within the guidelines specified by Brilliant Lighting, and within the correct operating voltage ranges as stated on the product's rating label.

Warranty does not include damage or loss arising from incorrect installation, operation or maintenance of this product, damage caused through modification, incorrect installation, and service by unqualified or unauthorised personnel or lack of regular maintenance and cleaning. Proof of installation by qualified personnel may be required, eg. Electrical Safety Certificate. Proof of purchase must be supplied with all warranty claims.

This warranty is provided in addition to any other rights and remedies of the customer under any law. In applications not intended for household, personal or domestic use, liability is limited to replacement or reimbursement of product only. Brilliant Lighting does not warranty the costs of removal or re-installation of this product or associated components.

Our goods come with guarantees that cannot be excluded under the Australian Consumer Law. You are entitled to a replacement or refund for a major failure and compensation for any other reasonably foreseeable loss or damage. You are also entitled to have the goods repaired or replaced if goods fail to be of acceptable quality and the failure does not amount to a major failure.

Any claim under this warranty must be made within 3 years of the date of purchase of the product. To make a claim under the warranty; at your own expense take the product (with proof of purchase – receipt or similar) to the store where you purchased the product or contact Brilliant Lighting at the address below.

This warranty is given by:

Brilliant Lighting (Aust) Pty. Ltd.

ABN 37 006 203 694

956 Stud Road Rowville, VIC 3178

Phone: 03 9765 2555

Email: warranty@brilliantlighting.com.au

MADE IN CHINA

430mm

250mm