



BLIZZARD Round DC Exhaust Fan

Before installing the new Brilliant Exhaust fan, it is most important that you read and follow these instructions, even if you feel you are quite familiar with this type of product. Please keep this document handy for future reference.

INSTRUCTION MANUAL



With LED Light



Without LED Light

Model	Description
22771/05	270mm Round DC Exhaust Fan – No Light
22772/05	330mm Round DC Exhaust Fan – No Light
22773/05	270mm Round DC Exhaust Fan – With Light
22774/05	330mm Round DC Exhaust Fan – With Light

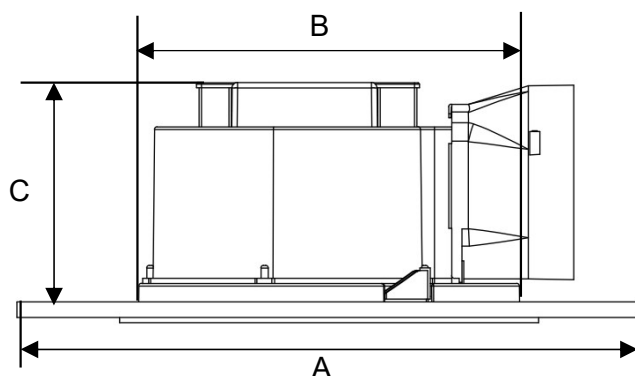


BLIZZARD Round DC Exhaust Fan

TECHNICAL DATA

Model Number	22771/05	22772/05	22773/05	22774/05
Rated Voltage	220-240V AC 50Hz	220-240V AC 50Hz	220-240V AC 50Hz	220-240V AC 50Hz
Fan Power	20W DC	40W DC	20W DC	40W DC
Light Power	N/A	N/A	15W	15W
Lumens	N/A	N/A	1100lm	1100lm
Duct Sizes	Ø100mm & Ø150mm	Ø100mm & Ø150mm	Ø100mm & Ø150mm	Ø100mm & Ø150mm
Noise (dB)	< 40dB	< 45dB	< 40dB	< 45dB
Air Delivery	450m ³ /hr	600m ³ /hr	450m ³ /hr	600m ³ /hr

DIMENSIONS



Model	A	B (Cut Out)	C
22771/05	Ø 270mm	Ø 240mm	185mm
22772/05	Ø 330mm	Ø 295mm	185mm
22773/05	Ø 270mm	Ø 240mm	185mm
22774/05	Ø 330mm	Ø 295mm	185mm



BLIZZARD Round DC Exhaust Fan



EXHAUST FAN INSTALLATION AND ELECTRICAL CONNECTIONS MUST BE CARRIED OUT BY A LICENCED ELECTRICIAN IN ACCORDANCE TO AS/NZS3000 RULES

Important:

- These units are not intended for use by persons (including children) with reduced physical, sensory or mental capabilities, or lack of experience and knowledge.
- This fan should not be installed in an area that gets extremely hot.
- Ensure there is at least a 50mm to 100mm gap between roof and the fan.
- Minimum installation height is 2.1 meters from the floor to the bottom of the exhaust fan.
- Please ensure the fan has not been damaged before installing.
- Check that the electrical specification label corresponds to your electrical supply.
- If the room where the fan is to be installed already contains a stove, gas fire or water heater, it is essential to ensure that the air supply to the room is enough for both the fan and these appliances.
- When ducting the fan, ensure the duct is not bent.
- If the supply cords are damaged, it must be replaced by the manufacturer, its service agents or a similar qualified person in order to avoid a hazard.

IMPORTANT INFO BEFORE INSTALLING

- **Installer needs to adhere to the latest national wiring rules AS/NZS3000, for wiring and when installing in bathrooms, nearby sinks and water taps.**
- **For the Exhaust fan to work efficiently, replacement air of volume equivalent to what is being extracted must be able to enter the room. In general, this air would be drawn from under the door or through a slightly opened window.**
- **Before commencing any cutting, check and confirm the mounting location to ensure there is no obstruction such as ceiling frames or joists. Check if the electrical wiring can be routed from the wall switch (not included with fan) to the mounting location.**
- **This fan must be installed into a horizontal location, and is not suitable for wall mount, raked ceilings, windows or outside walls.**



BLIZZARD Round DC Exhaust Fan

INSTALLATION INSTRUCTIONS

1. Unpack the fixture carefully and place it on a flat surface.
2. Gently prise off the front cover from fan being careful of the springs.
3. When there is enough room, reach in and unplug the cable connector.
4. Turn off the power at the mains.
5. Consider the position that you wish the exhaust fan to be installed in carefully. Take care to avoid structural elements and existing wiring when selecting the position for your exhaust fan/light.
6. Mark and cut out a **240mm diameter hole** for units 22771/05 and 22773/05. (Fig 1).
7. Mark and cut out a **295mm diameter hole** for units 22772/05 and 22774/05. (Fig 1).
8. Cut the hole in the ceiling using a suitable plaster saw, jig saw or hole saw. *Always wear protective clothing, safety glasses and an appropriate respirator mask when cutting into plaster. Double check there are no hidden electrical cables or ceiling battens before cutting.*
9. Note: if ducting is required to completely exhaust air from the room, then install a 150mm or 100mm duct pipe to the exhaust fan and lay the ducting across the ceiling and onto a suitable 150mm or 100mm exhaust vent. (Fig 2)
10. Insert fan power cable and LED light cable into the ceiling hole and plug them into the power point sockets in the ceiling as previously installed by a licensed electrical contractor.
11. **There is a switch to adjust the color temperature on back of the fan panel. Choose the color temperature according to your personal preference. CW is cool white, DL is daylight, and WW is warm white. (Fig 3)**

Use template supplied to cut hole

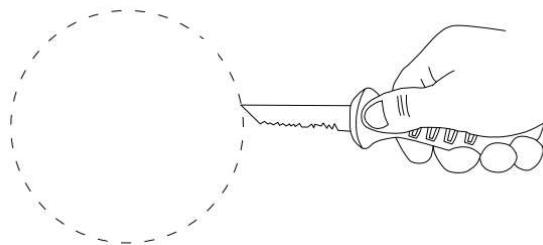


Fig 1.

**240mm diameter hole for units 22771/05 and 22773/05.
295mm diameter hole for units 22772/05 and 22774/05.**

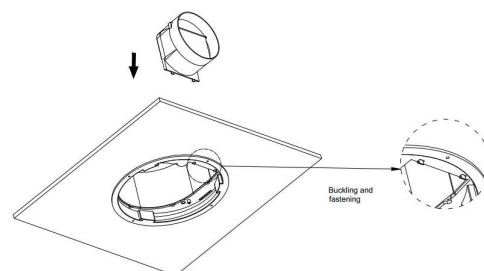


Fig 2.

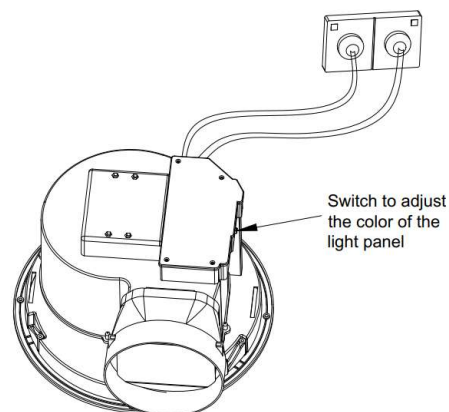


Fig 3.



BLIZZARD Round DC Exhaust Fan

INSTALLATION INSTRUCTIONS

12. Position fan in hole and with screwdriver, rotate mounting screws until slip blocks firmly secure fan onto ceiling plaster. *Do not over-tighten.* (Fig 4)
13. Replace front fascia by locating spring hole slots in body or fan. (Fig 4).
14. Reach in and plug in the connector that powers the LED light. (Fig 5).
15. Allow springs to pull the cover plate up over the fan cavity and against the ceiling surface. (Fig 6)
16. Turn on the power at the mains.
17. Switch unit on at the wall switches.
18. When cleaning cover, switch off all power, remove cover and wipe with damp cloth. Allow cover to dry before reinserting cover.

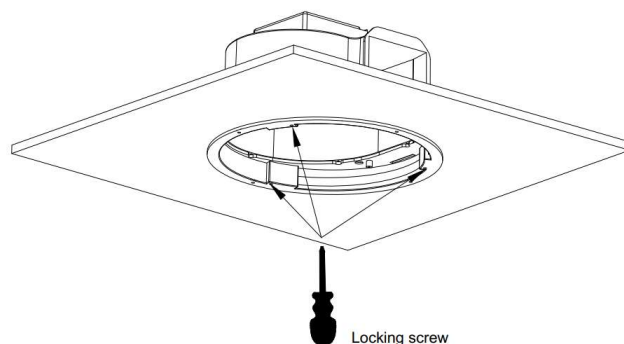


Fig 4.

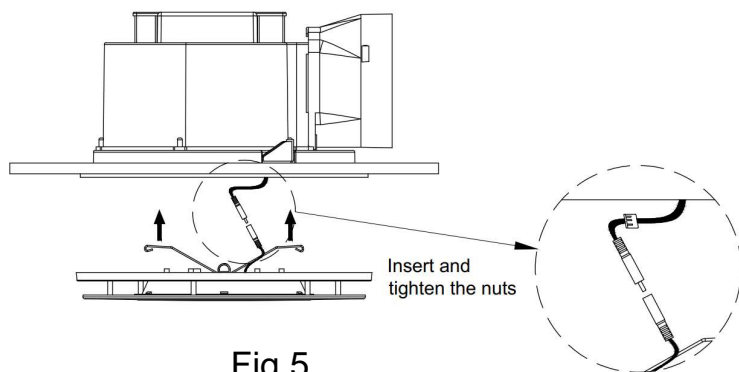
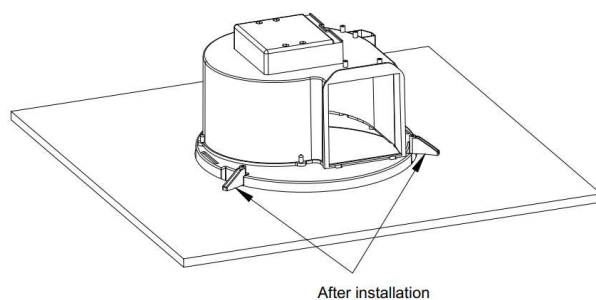


Fig 5.

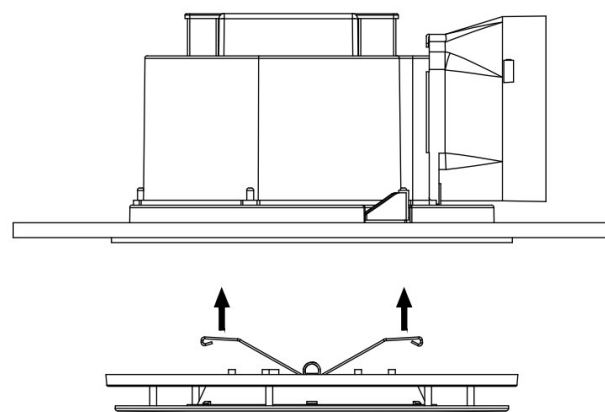
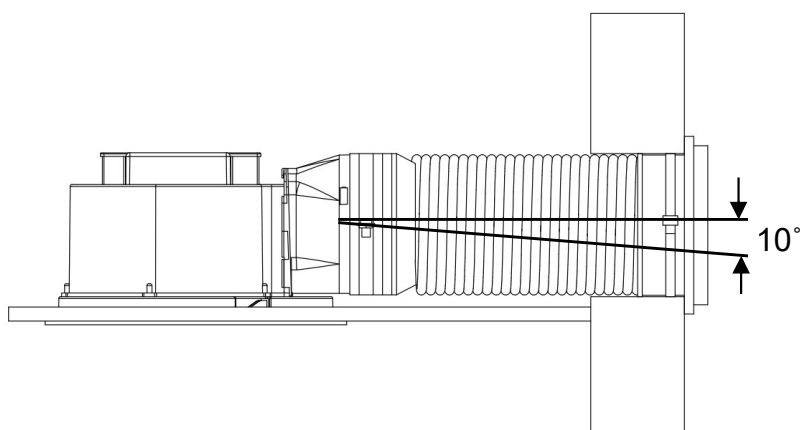


Fig 6.



Note: When installing the fan in a bathroom, the duct should decline downwards at least 10°



BLIZZARD Round DC Exhaust Fan

CLEANING & DISPOSAL

Before cleaning, make sure to turn the unit off. Switch off the power supply from the electrical outlet and wait for the unit to stop.

- Use a soft clean cloth to wipe any dust away.
- Do not try to open the unit without a licenced electrician.
- This unit is in accordance with the relevant safety requirements.
- For after sales requirements please refer to the warranty information below.

Do not dispose of electrical products with household waste. Check with your local council for advice. on disposal or recycling. If electrical goods are disposed of in landfills, hazardous substances can leak into the ground water and get into food chains. This could be damaging to your health and wellbeing.

WARRANTY

Brilliant Lighting warrants this product against defects in manufacture and workmanship for a period of 5 years from date of purchase. This warranty is only valid for products installed by a qualified electrical contractor and operated within the guidelines specified by Brilliant Lighting, and within the correct operating voltage ranges as stated on the product's rating label.

Warranty does not include damage or loss arising from incorrect installation, operation or maintenance of this product, damage caused through modification, incorrect installation, service by unqualified or unauthorised personnel or lack of regular maintenance and cleaning. Proof of installation by qualified personnel may be required, eg. Electrical Safety Certificate. Proof of purchase must be supplied with all warranty claims.

This warranty is provided in addition to any other rights and remedies of the customer under any law. In applications not intended for household, personal or domestic use, liability is limited to replacement or reimbursement of product only. Brilliant Lighting does not warranty the costs of removal or re-installation of this product or associated components.

Our goods come with guarantees that cannot be excluded under the Australian Consumer Law. You are entitled to a replacement or refund for a major failure and compensation for any other reasonably foreseeable loss or damage. You are also entitled to have the goods repaired or replaced if goods fail to be of acceptable quality and the failure does not amount to a major failure.

Any claim under this warranty must be made within 5 years of the date of purchase of the product. To make a claim under the warranty; at your own expense take the product (with proof of purchase – receipt or similar) to the store where you purchased the product or contact Brilliant Lighting at the address below.

This warranty is given by:

Brilliant Lighting (Aust) Pty. Ltd.

ABN 37 006 203 694

956 Stud Road Rowville, VIC 3178

Phone: 03 9765 2555

Email: warranty@brilliantlighting.com.au

Website: www.brilliantlighting.com.au

MADE IN CHINA