



EXHAUST FAN RUN ON / OFF TIMER - 22802

Congratulation on the purchase of your new Brilliant exhaust fan run on timer. Before first using, it is most important that you read and follow these instructions, even if you feel you are quite familiar with this type of product. Keep this document handy for future reference.

THIS TIMER MUST BE INSTALLED BY A QUALIFIED ELECTRICAL CONTRACTOR in accordance with the latest AS/NZS 3000 and relevant amendments

FOR YOUR SAFETY

- To prevent electrical shock, please ensure that POWER is **DISCONNECTED** before installation.
- Do not install in a position where the fitting are cut into existing electrical wiring.
- Do not touch any LIVE parts of the assembly with bare hands during installation. Make sure POWER is OFF!
- Any alterations or additions to building wiring **must be completed by a licensed electrician** or person authorised by legislation to work on the fixed wiring of any electrical installation.

SPECIFICATIONS

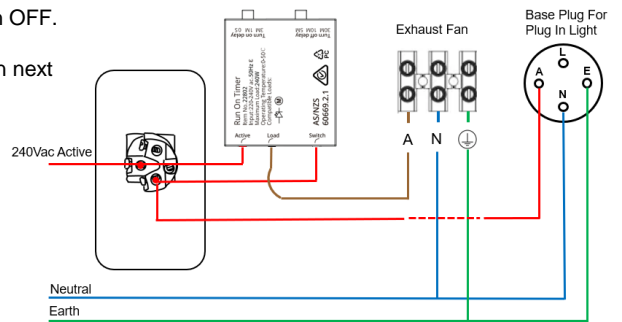
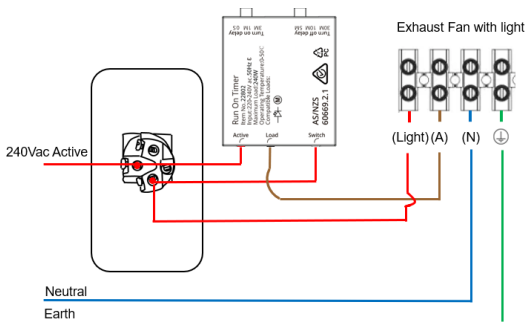
Input Voltage:	220-240Vac 50Hz	Turn On Delay:	0 sec ; 1 min ; 3 min
Contact Status	Normally Open	Turn Off Delay:	5 min ; 10 min; 30 min
Max Load:	240 Watts	Compliance:	AS/NZS 60669.2.1
Max Current:	1A	Housing Material:	PC/ABS
Operating Temp:	0°C - 50°C	Dimensions:	44 mm x 38 mm x 15 mm

- The run ON / OFF timer device is designed for applications where a 240V ac input load device is required to operate for a period after the circuit has been switched off. The most suitable application may be washrooms where a switch operating both a **luminaire *)** and exhaust fan together is required to turn the light off whilst allowing the fan to continue to operate for a specific time before switching off. **NOTE: Without light the dimmer won't operate properly!**
- The device is designed to be installed behind a 240V AC air brake switch to control the amount of time the connected load will continue to operate before shutting off after the operating switch is switched off. Whilst it requires 240V ac power, it may be used to control a load that requires a 240V ac input.

WIRING

1. Select the required Time settings 'ON' an 'OFF' with toggle switches 'A' & 'B'.
2. Follow the wiring diagram.
3. Turn wall Switch S1 'ON'. The dimmer will operate as per selected settings.
4. Turn S1 switch OFF.

Refer example on next page



Examples

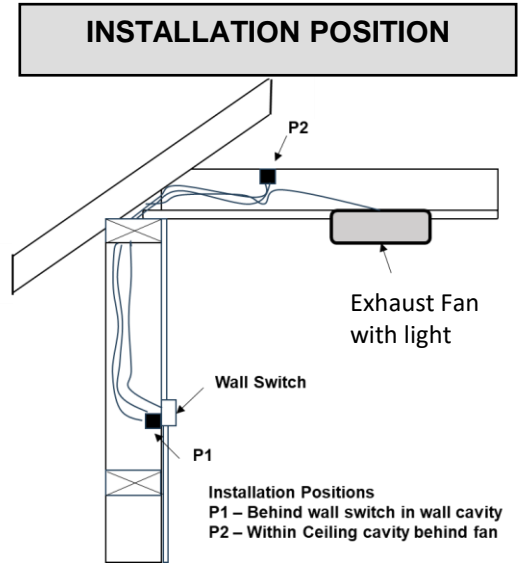
	A			B		
	Turn ON delay			Turn OFF delay		
	0sec	1min	3min	5min	10min	30min
I	o			o		
II		o			o	

Comments:

I.) Switch S1 turned ON: Light & Fan turns ON immediately.
Switch Turned OFF : Light turns OFF immediately, the fan will run for 5 min, after 5 min will turn OFF.

II.) Switch S1 turned ON: Light turns ON immediately but the Fan will turn ON after 1min. S1 Turned OFF : light turns OFF immediately but the fan will turn OFF after 10min, etc

Other combinations are possible.



WARRANTY

Brilliant Lighting warrants this product against defects in manufacture and workmanship for a period of 1 years from date of purchase or as specified elsewhere.. This warranty is only valid for products installed and operated within the guidelines specified by Brilliant Lighting, and within the correct operating voltage ranges as stated on the product's rating label.

Warranty does not include damage or loss arising from incorrect installation, operation or maintenance of this product, damage caused through modification, incorrect installation, service by unqualified or unauthorised personnel or lack of regular maintenance and cleaning. Proof of installation by qualified personnel may be required, e.g. Electrical Safety Certificate. Proof of purchase must be supplied with all warranty claims.

This warranty is provided in addition to any other rights and remedies of the customer under any law. In applications not intended for household, personal or domestic use, liability is limited to replacement or reimbursement of product only. Brilliant Lighting does not warranty the costs of removal or re-installation of this product or associated components.

The warranty does not cover Ripple Control noise/interference (identified by a periodic or intermittent hum). This must be addressed with your energy service provider. The warranty does not cover noises or faults due to poor installation

Our goods come with guarantees that cannot be excluded under the Australian Consumer Law. You are entitled to a replacement or refund for a major failure and compensation for any other reasonably foreseeable loss or damage. You are also entitled to have the goods repaired or replaced if goods fail to be of acceptable quality and the failure does not amount to a major failure.

Any claim under this warranty must be made within the specified warranty period from date of purchase of this product. To make a claim under the warranty; at your own expense take the product (with proof of purchase – receipt or similar) to the store where you purchased the product or contact Brilliant Lighting at the address below.

This warranty is given by:

Brilliant Lighting (Aust) Pty. Ltd.
ABN 37 006 203 694
956 Stud Road Rowville, VIC 3178
Phone: 03 9765 2555
Email: warranty@brilliantlighting.com.au
Web: www.brilliantlighting.com.au
MADE IN CHINA