



ECO 8W LED Dimmable CCT Downlight – 22828/05

Before first using your new Downlight, it is most important that you read and follow these instructions, even if you feel you are quite familiar with this type of product. Keep this document for future reference.

INSTRUCTION MANUAL

General Installation Information:

- All wiring and installation of the LED downlight must adhere to the latest local and national wiring rules. eg. **AS/NZS 3000** Electrical Installations. If unsure, please contact a licensed electrician.
- Before installation, check the installation location in the ceiling has access to a socket outlet which is connected to a wall light switch and/or dimmer. If it does not, please contact a licensed electrician to arrange installation of the socket outlet, wall light switch and dimmer before continuing.
- The LED downlight is rated **IP44** only after it is fully installed, this must be maintained during installation. NOTE: The back part of the LED downlight module is rated **IP20**.
- Select a suitable location for installation:
 - The mounting point must support 2 times the weight of the downlight.
 - This LED downlight is suitable for indoor or outdoor use, if it is installed under cover or under eaves.
- Check whether the downlight has been damaged during transport. Do not operate/install any product which appears damaged in any way. Return the complete product to the place of purchase for inspection, repair or replacement.
- Ensure power to the circuit you are working on has been switched OFF before commencing any electrical work.
- Do not perform modification to the unit.
- If the supply cord is damaged it should be replaced by the manufacturer or qualified person to avoid a hazard.
- Lay out all the components on a smooth surface and make sure there are no components missing before assembling. If parts are missing, return the complete product to the place of purchase for inspection or replacement.
- Failure to follow these instructions may void the warranty.

SPECIFICATION

SKU Number:	22828/05	
Protection:	Class II	
Rating:	220V – 240Vac	
Power:	8 Watts	
Beam Angle:	100°	
IP Rating:	IP44 (Front Only)	
Warm White – 3000K	650lm	CRI > 80
Cool White – 4000K	800lm	CRI > 80
Neutral White – 5000K	720lm	CRI > 80

INSTALLATION INSTRUCTIONS

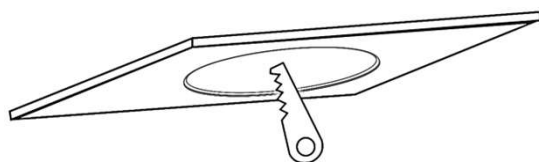


Fig.1.

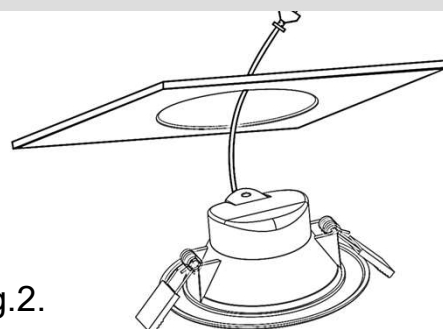


Fig.2.

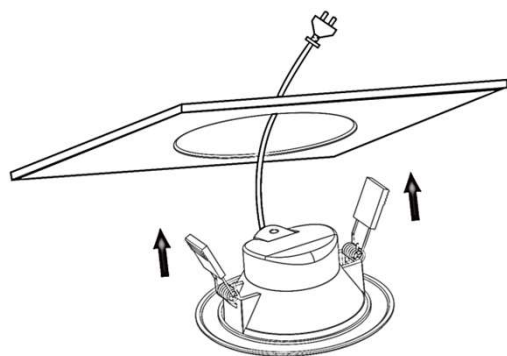


Fig.3.

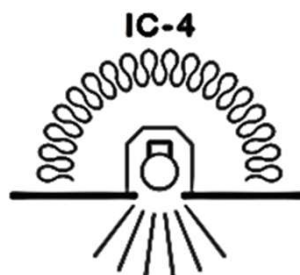
- Remove product from packaging.
- **NOTE:** Before installing the downlight, plug the downlight into a socket outlet to ensure the downlight is working correctly.
- Cut the installation hole of Ø90mm into the ceiling. (Fig.1).
- Select your preferred colour temperature by sliding the CCT switch on the top of the downlight.
- Feed the supply cord through the ceiling hole and connect the downlight plug to the socket outlet in the ceiling. (Fig.2.).
- Push the springs up and put the downlight module up through the cut-out hole and into the ceiling (Fig.3.).

RECOMMENDED DIMMERS

		ECO Downlight			ECO Downlight
Dignet	MEDM	Yes	DETA	6032B	5% to 100%
Dignet	MMDM/RT	5% to 100%	DETA	6910B Push Button	Yes
Clipsal	32ELED2-WE	Yes	VOLTEX	DM300S	15% to 100%
Clipsal	32E450UDM-WE	15% to 100%	VOLTEX	DM250X	Yes
Clipsal	42E350RUD2M-VW	10% to 100%	HPM	EVM400A2WE	15% to 100%
Clipsal	32E450TM	10% to 100%	HPM	AR400A2PMMCN	15% to 100%
Clipsal	32ELED2M	10% to 100%	HPM	AR400A2PMWE	15% to 100%
Clipsal	42ELED2M-VW	Yes	HPM	250TMWE	20% to 100%
Clipsal	Universal ICONIC DIM	10% to 100%	HPM	400LMWE	20% to 100%
CABAC	HNS626DT	5% to 100%	Brilliant Lighting	22091	Yes
CABAC	HNS636DT	5% to 100%	Brilliant Lighting	22092	Yes
CABAC	HNS630DT	5% to 100%	Brilliant Lighting	20967	10% to 100%
TRADER	DIMPBD	5% to 100%	SAL	SDA450U/LED Rotary Dimmer	Yes
TRADER	DIMR	Yes	SAL	SDD350OUM Push Button Dimmer	20% to 100%

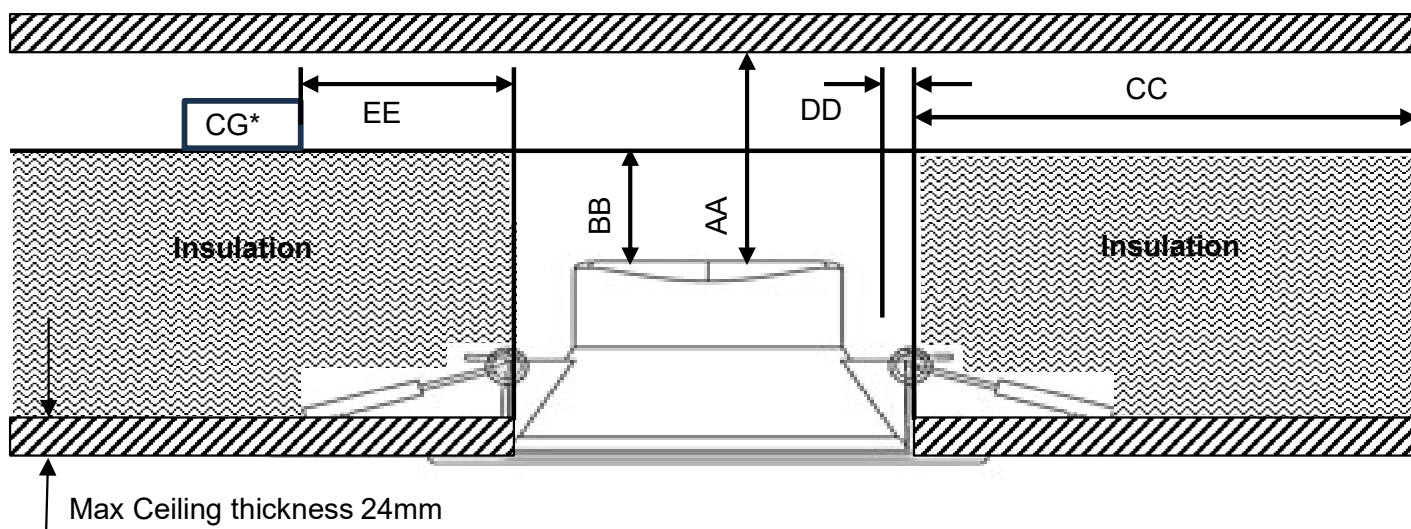
IC Rating – AS/NZS 60598.2.2: 2016

AN IC-F IC-4 RECESSED LUMINAIRE CAN BE ABUTTED AGAINST OR COVERED WITH NORMALLY FLAMMABLE MATERIALS INCLUDING BUILDING INSULATION



- A closed luminaire that allows building insulation to come into contact with its sides and to cover it.
- Type IC-4 recessed luminaire can be used together with building insulation that can safely be exposed continuously to temperatures up to 90°C may abut and cover the luminaire.
- The declared IC-4 rating is based on the default testing ambient temperatures 25°C according to the standard.

Building element above fitting



		Clearance
AA	The minimum clearance distance from the top of the luminaire to any normally flammable building element	0mm
BB	The minimum clearance distance from the top of the luminaire to any building insulation	0mm
CC	The minimum clearance distance from the side of the luminaire to any normally flammable building element	0mm
DD	The minimum clearance distance from the side of the side of the luminaire to any building insulation	0mm
EE	Side clearance to auxiliary equipment control gear (CG) (if supplied)	N/A



ECO 8W LED Dimmable CCT Downlight – 22828/05

SAFETY TIPS

- Always ensure the power is **OFF** and the downlight has cooled down before performing any maintenance, cleaning or making any adjustment to the downlight.
- To avoid injury or damage to the downlight, ensure that power leads and screws are secure before connecting the power.
- Select a suitable location away from liquids and hazards.
- To clean, wipe with a soft damp clean cloth. **Do NOT** soak or immerse the product in water or other liquids.
- Ensure that the downlight does not come in contact with corrosive chemicals/solvents or abrasive cleaners etc

WARRANTY

Brilliant Lighting warrants this product against defects in manufacture and workmanship for a period of 3 years from date of purchase or as specified on the packaging. This warranty is only valid for products installed by a qualified electrical contractor and operated within the guidelines specified by Brilliant Lighting, and within the correct operating voltage ranges as stated on the product's rating label.

Warranty does not include damage or loss arising from incorrect installation, operation or maintenance of this product, damage caused through modification, incorrect installation, service by unqualified or unauthorised personnel or lack of regular maintenance and cleaning. Proof of installation by qualified personnel may be required, eg. Electrical Safety Certificate. Proof of purchase must be supplied with all warranty claims.

This warranty is provided in addition to any other rights and remedies of the customer under any law. In applications not intended for household, personal or domestic use, liability is limited to replacement or reimbursement of product only. Brilliant Lighting does not warranty the costs of removal or re-installation of this product or associated components.

Our goods come with guarantees that cannot be excluded under the Australian Consumer Law. You are entitled to a replacement or refund for a major failure and compensation for any other reasonably foreseeable loss or damage. You are also entitled to have the goods repaired or replaced if goods fail to be of acceptable quality and the failure does not amount to a major failure.

Any claim under this warranty must be made within the date of purchase of the product or as specified on the packaging. To make a claim under the warranty; at your own expense take the product (with proof of purchase – receipt or similar) to the store where you purchased the product or contact Brilliant Lighting at the address below.

This warranty is given by:

Brilliant Lighting (Aust) Pty. Ltd.

ABN 37 006 203 694

956 Stud Road Rowville, VIC 3178

Phone: 03 9765 2555

Email: warranty@brilliantlighting.com.au

Made in China